



Промприлад

01

# Promrpylad today:

- 160 Employees;
- People turnover ~ 6%;
- 250 pieces of equipment;
- Major shareholder change in 2019 year.



# Promprylad today:

- Metal processing;
- Cutting, bending, stamping of sheet metal;
- Welding;
- Aluminum casting;
- Plastic casting;
- Thermal processing of metal;
- Galvanic coating of metal;
- Paint coating;
- Metrology;
- Carpentry shop.



# Promprylad today:

- DSTU ISO 9001:2015 (Quality management)
- DSTU ISO 14001:2015 (Ecological management).



# Promprylad today:

## Metrology:

- Bell type unit (max consumption 6400 m<sup>3</sup>/hr.);
- 2 pipe type units;
- Possibility to verify gas meters from 0,16 m<sup>3</sup>/hr. till 6400 m<sup>3</sup>/hr.



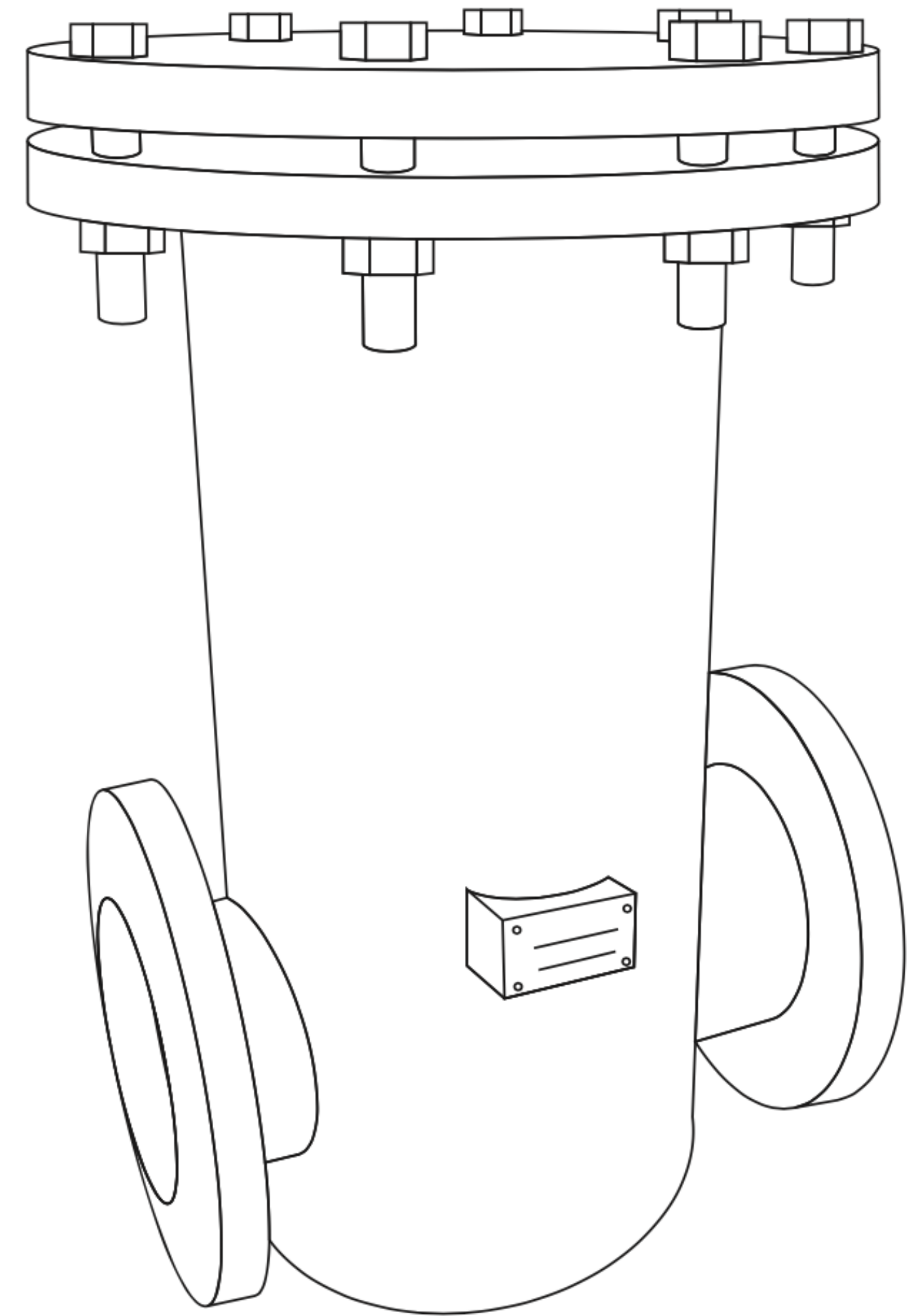


Промприлад

**We produce:**

[www.prylad.com.ua](http://www.prylad.com.ua)

- **Gas meters of rotary and turbine types (range G10 - G4000);**
- **Gas filters FGK;**
- **Filter-separator;**
- **Strait parts (before and after gas meter);**
- **Differential manometers;**
- **Diaphragms (narrowing devices);**
- **Gas filter's clog indicator;**
- **Additional gas metering equipment.**

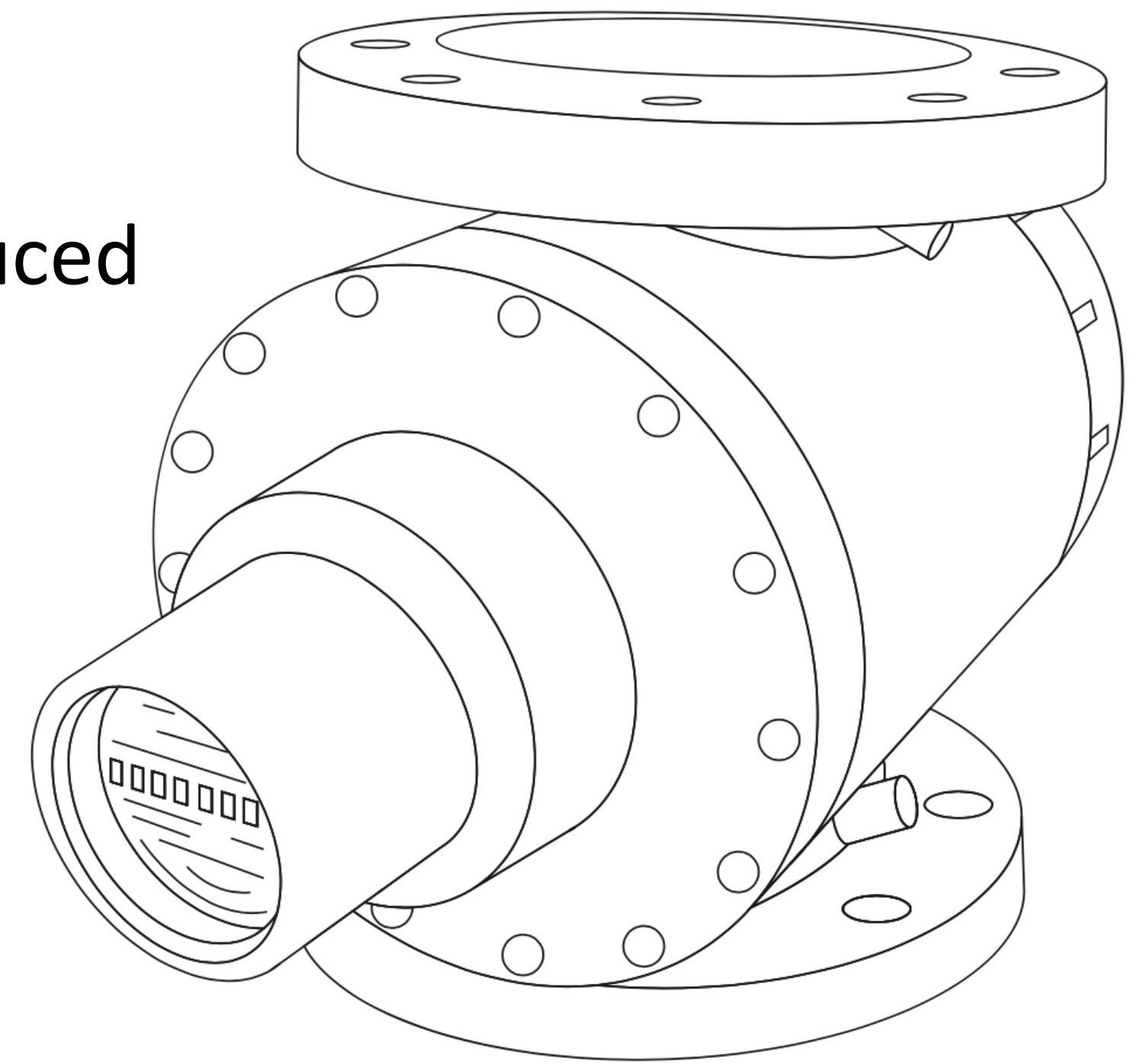


# Rotary gas meters PГK:

- Range 1:30 (it is possible to modernize the previously produced meters);
- G25 – G100 range 1:50;

# Rotary gas meters PГA, PГC:

- Range - 1:100, 1:160;
- Types: G10 – G400;
- Meters for high pressure (6,3 MPa).

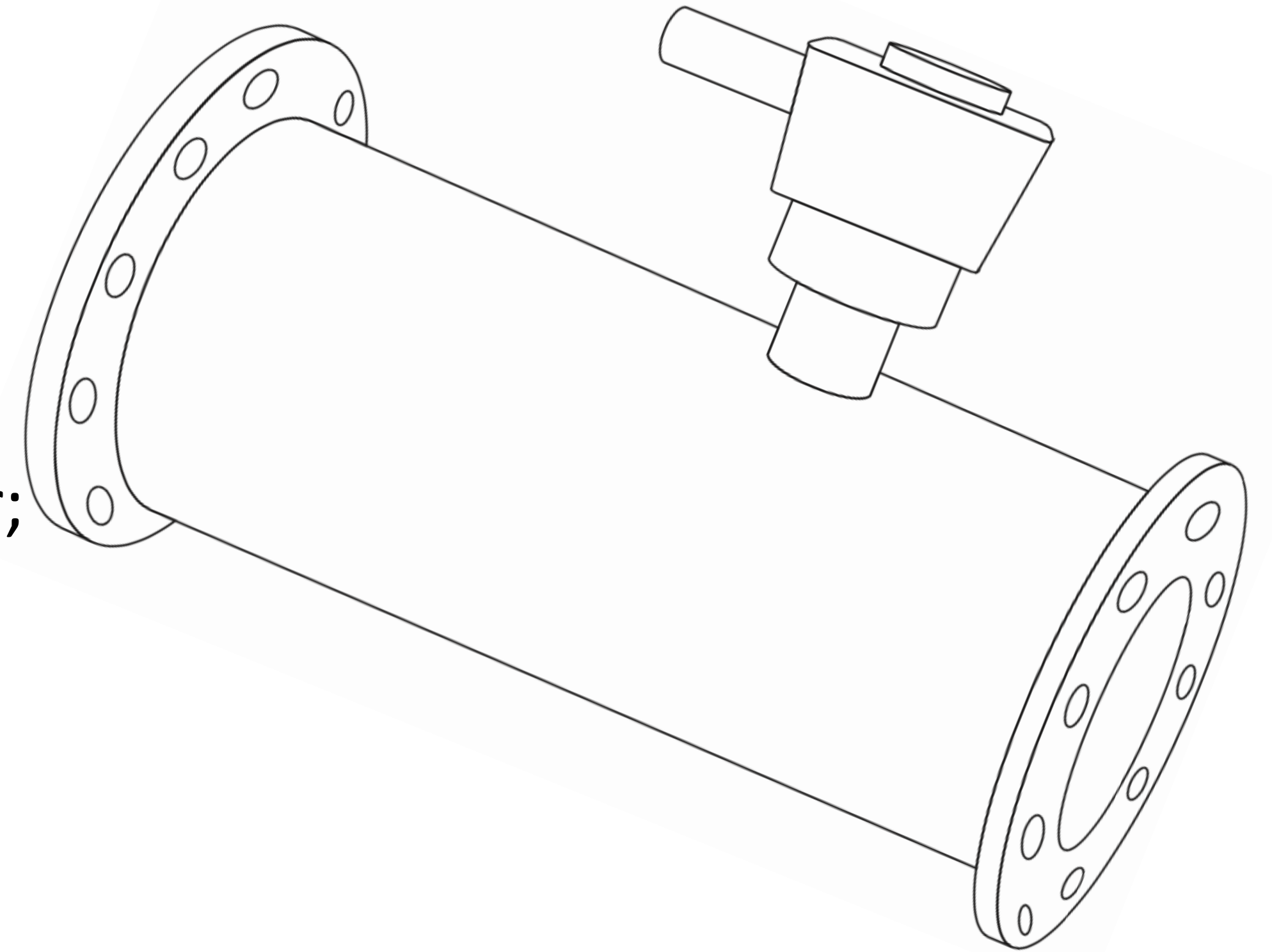


In 2019 Promprylad has passed certification according to a new national standard: DSTU EN 12480:2006 «Gas meters. Rotary displacement gas meters». The Modul B Certificate has been received.

Before shipment to customers each gas meter is being tested according to module F.

# Turbine gas meters ЛГ-К:

- Gas consumption from 13 m<sup>3</sup>/hr till 6500 m<sup>3</sup>/hr;
- Nominal diameters from 80 till 300;
- Maximum pressure from 0,63 till 10 MPa.



In 2017 Promprylad has passed certification according to a new national standard: DSTU EN 12261:2006 «Gas meters. Turbine gas meters». The Modul B Certificate has been received.

Before shipment to customers each gas meter is being tested according to module F.

# National standard:

National standard	Name of national standard	Name of EU standard
ДСТУ EN 12261:2006	Лічильники газу турбінні. Загальні технічні умови	EN 12261:2002 Gas meters. Turbine gas meters
ДСТУ EN 12480:2006	Лічильники газу роторні. Загальні технічні умови	EN 12480:2002 Gas meters. Rotary displacement gas meters

# Additional advantages:

- According to new standard gas meters are being calibrated  $\pm 0.4\%$  (average). In fact the accuracy class has increased (class 0,5).
- Hardness of synchronizing gears has been increased;
- New rotary gas meters placed in production: PГC G400 (1:100, 1:160).
- New turbine gas meters placed in production: ЛГ-К G4000 (1:30, 1:50).



Промприлад

# Thank you!

Ihor Markuts, supervisory board member

76000 Ukraine, Ivano-Frankivsk

23, Academician Sakharov str.

[sales\\_export@prylad.com.ua](mailto:sales_export@prylad.com.ua)

[www.prylad.com.ua](http://www.prylad.com.ua)